



Installation instructions Installationsanleitung

fixDock mini



fixDock for/für:

<input type="checkbox"/>	iPad mini	<input type="checkbox"/>	iPad mini 2
<input type="checkbox"/>	iPad mini 3	<input type="checkbox"/>	iPad mini 4
<input type="checkbox"/>		<input type="checkbox"/>	
<input type="checkbox"/>		<input type="checkbox"/>	

Please read these operating instructions and adhere to the content and recommendations they contain before installing, starting up and operating the fixDock.

Bitte lesen Sie vor Installation, Inbetriebnahme und Bedienung der iRoom fixDock die Bedienungsanleitung und folgen Sie den Anweisungen und Empfehlungen.

List of contents

The fixDock backbox.....	Page 2	Specifications, Information	Page 4
Scope of delivery, Important information.....	Page 3	Warranty	Page 5
Mounting	Page 3		

General information

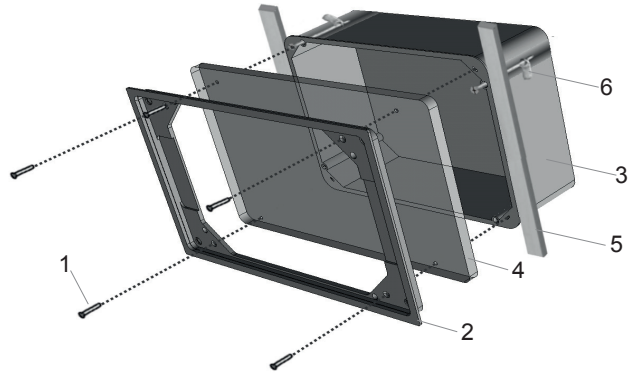
The fixDock can be installed both vertically and horizontally.

It is important that the wall mounting surface is level and smooth, so the backbox can be fixed without deformation.

During installation the protective card has to be placed into the backbox.

Description of function

The fixDock may only be used with the flush-mounted backbox. Operation without the backbox will void the warranty. Missuse of the backbox is prohibited.



Recess dimensions backbox
(W/H/T): 176,0 / 275,0 / 90,0 mm 6,9" / 10,8" / 3,5"

Mounting in Masonry

1. Prepare a recess in the wall
(W/H/D: 176,0 / 275,0 / 90,0 mm - 6,9" / 10,8" / 3,5")
2. Attach the plaster work protection lid (4) to the backbox (3) and bolt them together with the included mounting screws (1)
3. Break out knockouts at the backbox (3) for leading in cables and pipes.
4. Lead in the power leads through the knockouts in the back box . Use a suitable cable grip sleeve.
5. Place the backbox (3) in the recess and fix it. Do not deform the backbox. Consider thickness of plaster / wall finishing!
6. Plaster in the backbox (3) and ensure a straight, flush wall and distortion-free installation of the back box. Otherwise it may cause mechanical problems.
7. After finishing plasterwork and wall finishing remove the plaster frame (4) and attach the aluminum frame (2)!

Mounting in Cavity walls

1. Attach the aluminum frame (2) to the backbox (3) and bolt them together using the included mounting screws (1)
2. Prepare a recess in the wall
(W/H/D: 176,0 / 275,0 / 90,0 mm - 6,9" / 10,8" / 3,5")
3. Fix the cavity wall mounting brackets (5) inside the cavity wall (in a distance of 275 mm - 10,8") using screws or double-sided tape
4. Screw the cavity-wall mounting clips (6) to the backbox.
5. Break out knockouts on the backbox (3) for leading in cables and pipes.
6. Lead in the power leads through the knockouts in the back box . Use a suitable cable grip sleeve.
7. Place the backbox (3) in the recess. Do not deform the backbox.
8. Screw the cavity-wall mounting clips (6) tight. Ensure a straight, flush wall and distortion-free installation of the flush box. Otherwise it may cause mechanical problems.

Installation instructions

Scope of delivery

fixDock mini (1x) - fixDock backbox (1x) - aluminium frame (1x) - mounting screw (4x) - cavity wall installation brackets (2)
plasterwork protection lid (1) - expander ring (2x) - installation instructions (1x) - sucker (1x)

Important information

All connection and installation work must be conducted by certified electricians in compliance with the general rules and directives for electrical installations.

The fixDock has a smooth and shiny surface which is prone to scratches. Handle with care to avoid damage. Do not clean with liquids or fluids. We recommend wearing soft cotton wool gloves during installation.

- Select a suitable place to mount the device
- Do not mount or use the fixDock in wet or moist environments
- The place chosen to mount the device must provide enough recess depth to allow use of the backbox and the entry of the leads.
- Mount the device in a place that enables reception of a suitably strong Wi-Fi signal so that the tablet can also be used when it is docked.

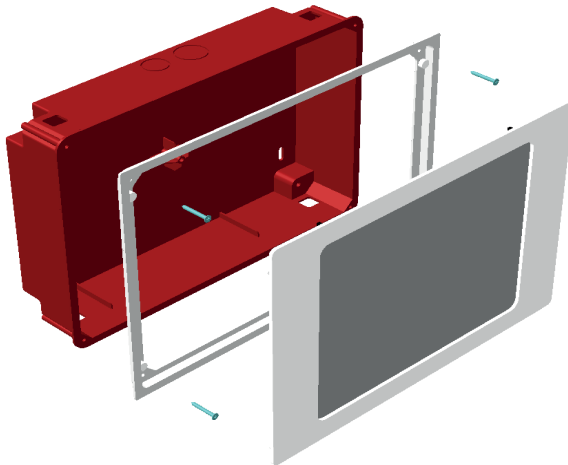
Mounting

For instructions of installing the back box, please refer to page 2.

1. Prepare a connector in the back box to accommodate the original tablet power adapter
2. Connect the tablet to tablet power supply
3. Fix the tablet with the enclosed mounting rings.
4. Push the fixDock into the aluminium frame. Make sure you do not damage the power leads.
Ensure a proper locking of the magnetic mounting system.
5. Switch on main power supply.
6. To remove the dock from the aluminium frame use the enclosed sucker!

Product illustration

exploded view



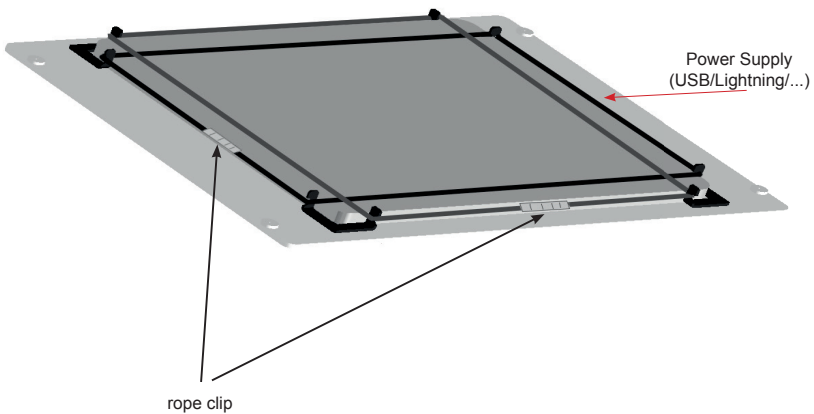
Product illustration

Product illustrations are exemplary illustrations and can deviate from supplied products

Installation instructions

Product illustration

bezel with tablet, rear view,
mounting bands attached



**Please pay attention to correct
positioning of the rope clips.**

Product illustration

Product illustrations are exemplary illustrations and can deviate from supplied products

Specifications

Dimensions fixDock (W/H/T):..... 176,0 / 275,0 / 90,0 mm 6,9" / 10,8" / 3,5"

Cut out dimensions installation box (W/H/T):..... 194,0 / 284,0 / 90,0 mm 7,6" / 11,2" / 3,5"

Power supply:..... Original Power supply from tablet (not included)

Accessories:..... Security Kit (not included)



fixDock Security Kit

(not included and should be purchased separately)

Important information

Protection against theft

fixDock DOES NOT GUARANTEE ANY PROTECTION against theft. Unauthorised forceful removal of an tablet cannot be prevented. no liability in case of theft of the tablet shall accept. To protect your tablet, use fixDock Security Kit.

Safety instructions

- Protect the device from fluids to avoid damage caused by fire or electric shocks!
- The device must not be subject to maintenance by users! Installation and deinstallation must be conducted by certified electrical technicians!
- Do not put any foreign objects into the device!
- Should any fluids or objects enter or fall into the device, or should the device become damaged, disconnect the device from the power supply immediately!

Warranty

Guarantee

The guarantee period shall run for two (2) years from the date of purchase made by the original end customer, unless the device has been repaired or replaced due to the invocation of guarantee rights. In such case the guarantee shall remain valid until the expiry of the original guarantee period or six (6) months from the date of repair/replacement – whichever period expires first.

Claims for defects and claim validation

Should your fixDock fail or cease to function as desired, please contact your dealer and provide the original invoice, the serial number and a description of the error. The dealer will arrange for the device to be inspected by the manufacturer or a technician authorised by the manufacturer. The inspector can then confirm a defect has been identified within the guarantee period, has been caused by defective materials or manufacturing, and is not subject to exclusion from the guarantee.

Exclusion from guarantee coverage

The following damages and sources of damage are excluded from the guarantee:

- Acts of God;
- Misuse, including (but not limited to) failure to comply with assembly, mounting or operating instructions;
- Incorrect operation;
- Connection to an unsuitable power supply;
- Repairs and attempted repairs conducted by unauthorised individuals;
- Use of the device in connection with products from other sources;
- Devices whose manufacturer serial number has been changed, deleted, removed or made illegible;
- Upgrading of devices above and beyond the specifications, features or functions listed in the operating manual

Limits to liability

The above guarantee portrays the entire scope of liability applicable to manufacturer. Hence, the manufacturer shall decline any further claims for liability for loss or damage (except in proven cases of gross negligence) resulting from the purchase, acquisition, ownership, possession, sale or use, of this device.

Under no circumstances the manufacturer accept any liability for subsequent consequential damages, delays, unsuitable or incorrect information or advice, and violation of copyright. The rights of the purchaser as regards defects shall not be affected.

Various conditions

Absolutely nobody, including all sales and distribution partners, dealers, agents and sales representatives, shall have any right whatsoever to take on responsibility for guarantee rights or to alter them in any way on behalf of the manufacturer. The purchaser shall take sole responsibility for ensuring the device is suitable for the purpose for which it is to be used.

Installation instructions



iRoom GmbH
Paracelsusstrasse 4
A-5110 Obernorf
Austria

Visit our website:
www.iRoomsiDock.com